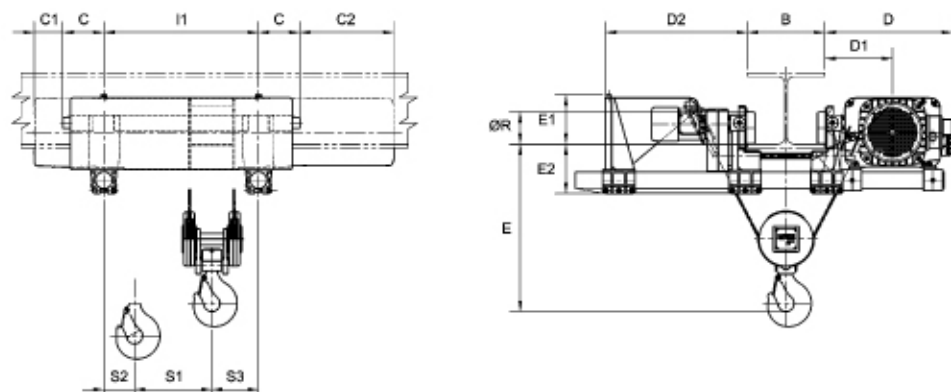


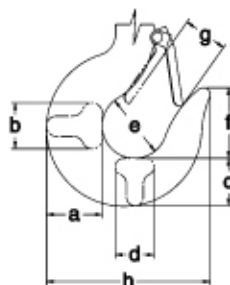
## RH Advantage Trolley Hoists Dimensions



- Note:
- RH Advantage trolleys are suitable for use on S or W shaped beams.
  - Refer to Trolley Specification table for flange range dimension B.
  - Refer to Headroom table for headroom dimension E.

Capacity (Tons)	Product Code	C (in)	C1 (in)	C2 (in)	D (in)	D1 (in)	D2 (in)	E1 (in)	E2 (in)	H (in)	Ø R (in)	S1 (in)	S2 (in)	S3 (in)
5	RH05U-23D4G⊙W-A	6.3	4.3	14.4	19.5	10.4	22.1	7.6	7.6		4.92	5.3	11.2	7.1
	RH05U-33D4G⊙W-A											8.3	23.2	7.9
7 1/2	RH08U-23D3G⊙W-A											5.3	11.2	7.1
	RH08U-33D3G⊙W-A											8.3	23.2	7.9
10	RH10U-23D4L⊙W-A	10.8	-2.8	16.9	24.6	13.2	24.5	10.7	10.2		7.87	6.3	13.4	9.4
	RH10U-33D4L⊙W-A											9.4	29.5	10.6

## RH Advantage Trolley Hoists Bottom Hook Dimensions



Capacity (Tons)	Product Code	a (in)	b (in)	c (in)	d (in)	e (in)	f (in)	g (in)	h (in)
5	RH05U-23D4G⊙W-A	2.6	2.1	2.3	1.8	2.5	2.8	1.7	6.7
	RH05U-33D4G⊙W-A								
7 1/2	RH08U-23D3G⊙W-A								
	RH08U-33D3G⊙W-A								
10	RH10U-23D4L⊙W-A	3.5	2.8	3.0	2.4	3.1	3.5	2.0	8.9
	RH10U-33D4L⊙W-A								